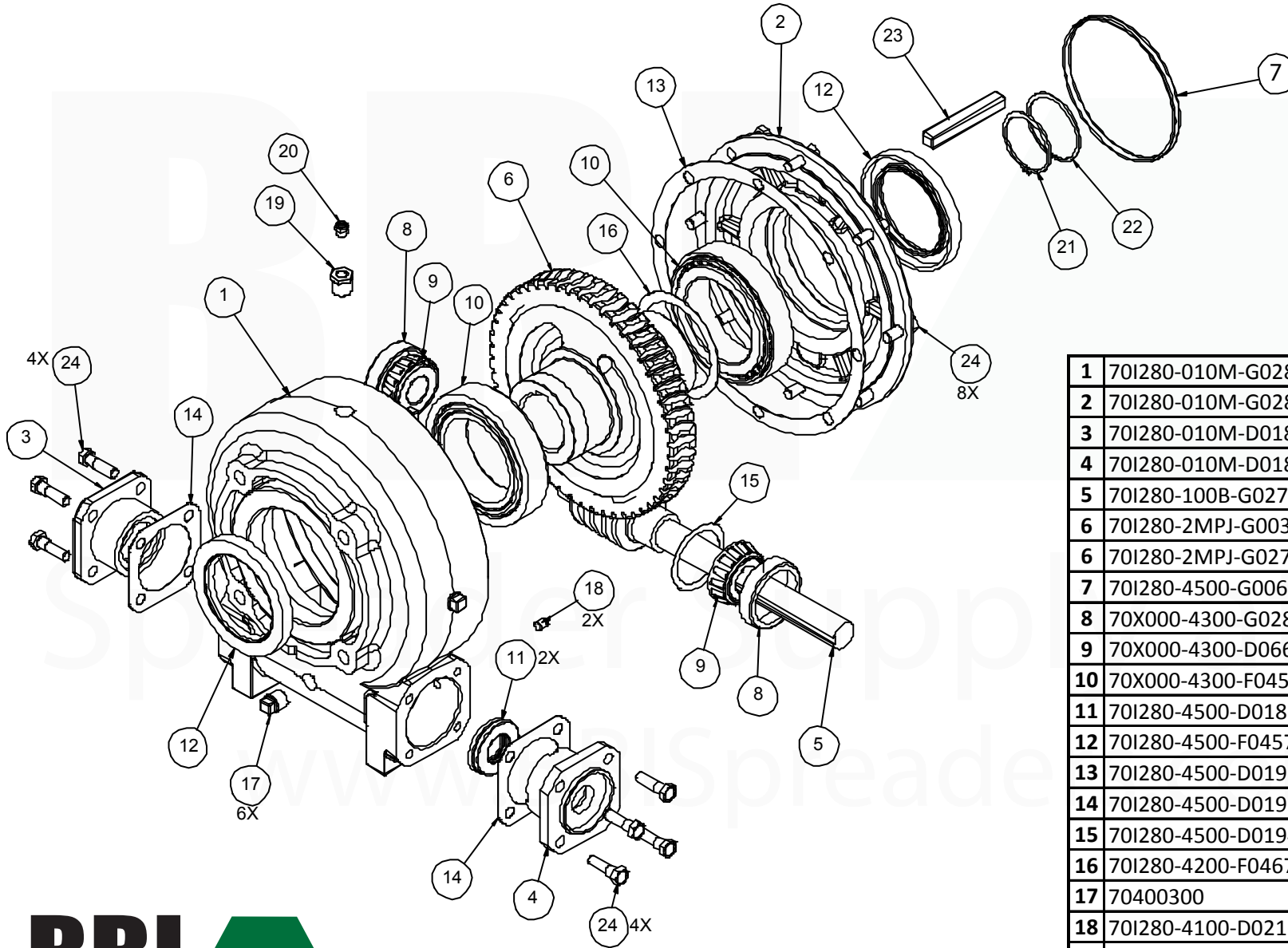


70I280Gear Mechanical Pull Type Litter Conveyor I280- Gearcase LH mount



1	70I280-010M-G0284	Housing
2	70I280-010M-G0285	Cover, Output
3	70I280-010M-D0180	End Cap, Input Solid
4	70I280-010M-D0181	End Cap, Input Thru
5	70I280-100B-G0278	Worm Gear and Shaft
6	70I280-2MPJ-G0036	Gear Wheel I280 Right Hand
6	70I280-2MPJ-G0279	Gear Wheel I280 Left Hand
7	70I280-4500-G0062	Cover Cap
8	70X000-4300-G0280	Bearing, Output Cup
9	70X000-4300-D066	Bearing, Input Cone
10	70X000-4300-F0456	Bearing, Output Cup / Cone
11	70I280-4500-D0186	Superior Input Seal, I280
12	70I280-4500-F0457	Superior Output Seal, I280
13	70I280-4500-D0192	Superior Gasket Cover I280
14	70I280-4500-D0193	Superior Gasket Input I280
15	70I280-4500-D0194	Shim, Input
16	70I280-4200-F0467	Shim, Output
17	70400300	NPT Hex Plug (1/2")
18	70I280-4100-D0216	Plug 1/8 - 27 NPT
19	70I280-41FG-C0329	Bushing 3/8 -18, 1/8 - 27
20	702003PR	Vent Plug (1/8")
21	70I280-4200-D0231	Superior Retaining Ring I280
22	70I280-4200-D0232	Superior Retaining Ring I280
23	70I280-4200-G0046	Key
24	70X000-41AB-C0050	Bolt, 3/8 - 16X, 1.00 GR5