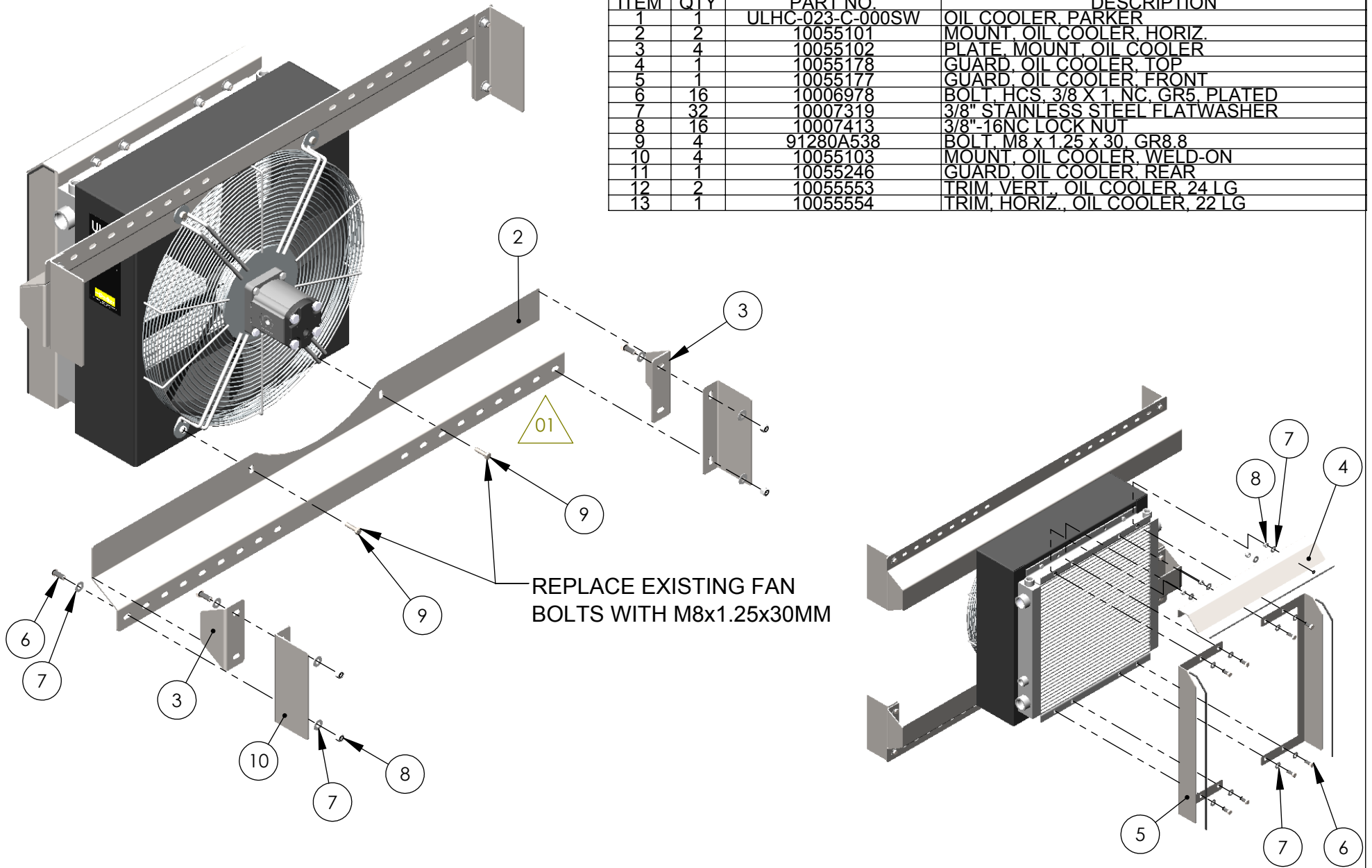
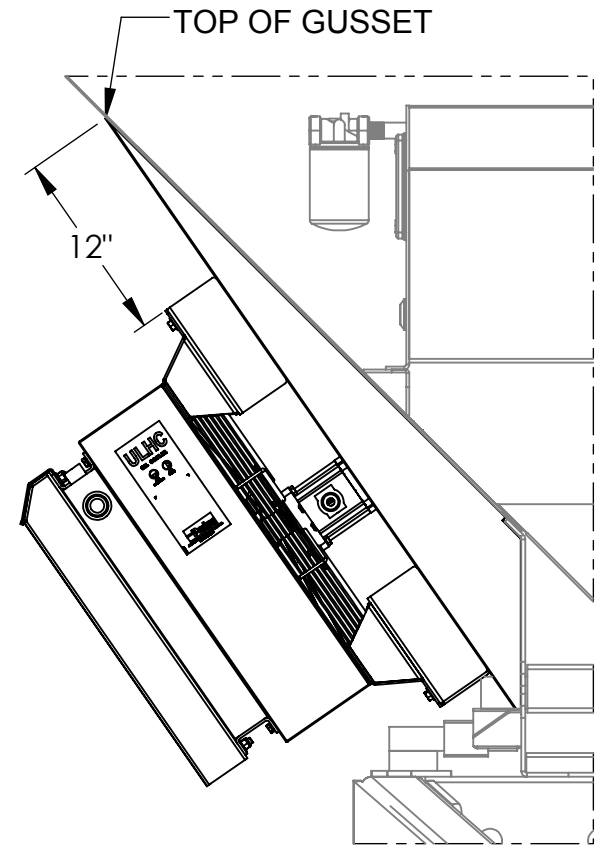
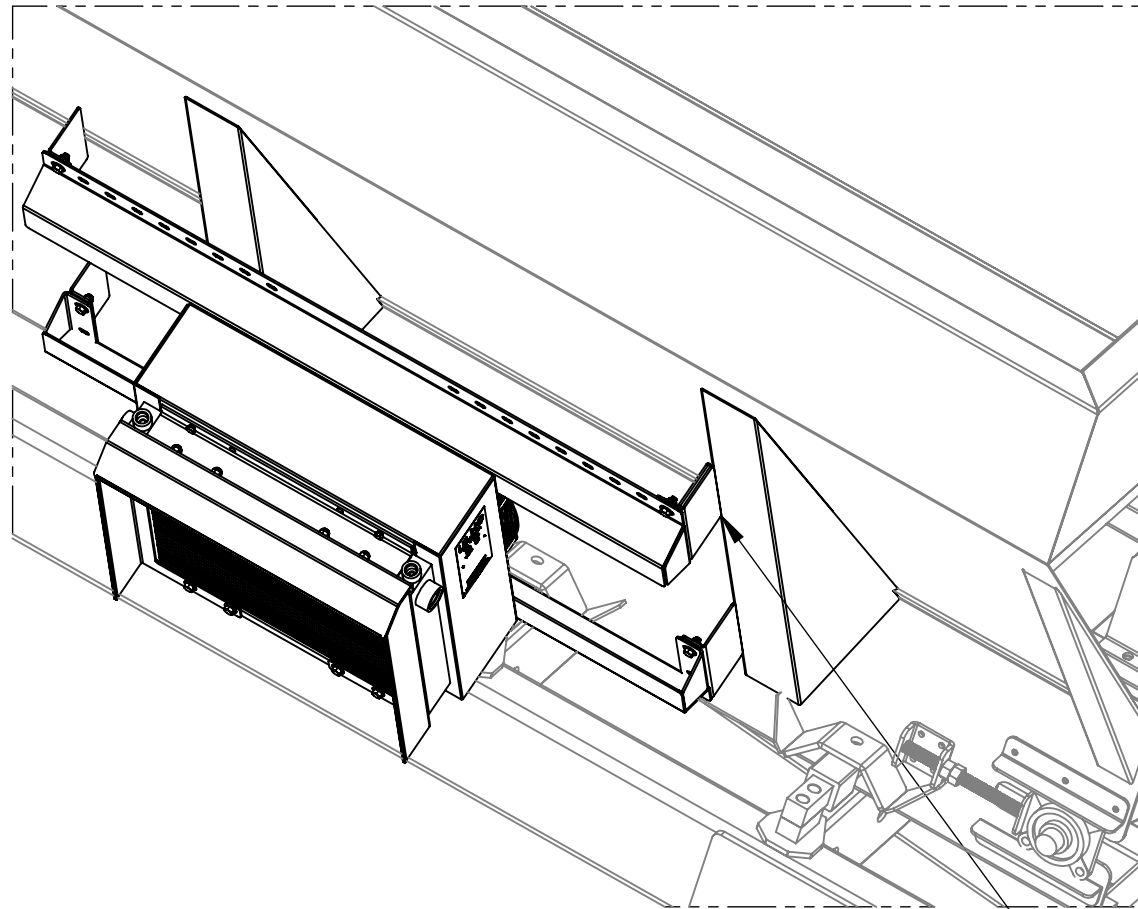


ITEM	QTY	PART NO.	DESCRIPTION
1	1	ULHC-023-C-000SW	OIL COOLER, PARKER
2	2	10055101	MOUNT, OIL COOLER, HORIZ.
3	4	10055102	PLATE, MOUNT, OIL COOLER
4	1	10055178	GUARD, OIL COOLER, TOP
5	1	10055177	GUARD, OIL COOLER, FRONT
6	16	10006978	BOLT, HCS, 3/8 X 1, NC, GR5, PLATED
7	32	10007319	3/8" STAINLESS STEEL FLATWASHER
8	16	10007413	3/8"-16NC LOCK NUT
9	4	91280A538	BOLT, M8 x 1.25 x 30, GR8.8
10	4	10055103	MOUNT, OIL COOLER, WELD-ON
11	1	10055246	GUARD, OIL COOLER, REAR
12	2	10055553	TRIM, VERT., OIL COOLER, 24 LG
13	1	10055554	TRIM, HORIZ., OIL COOLER, 22 LG



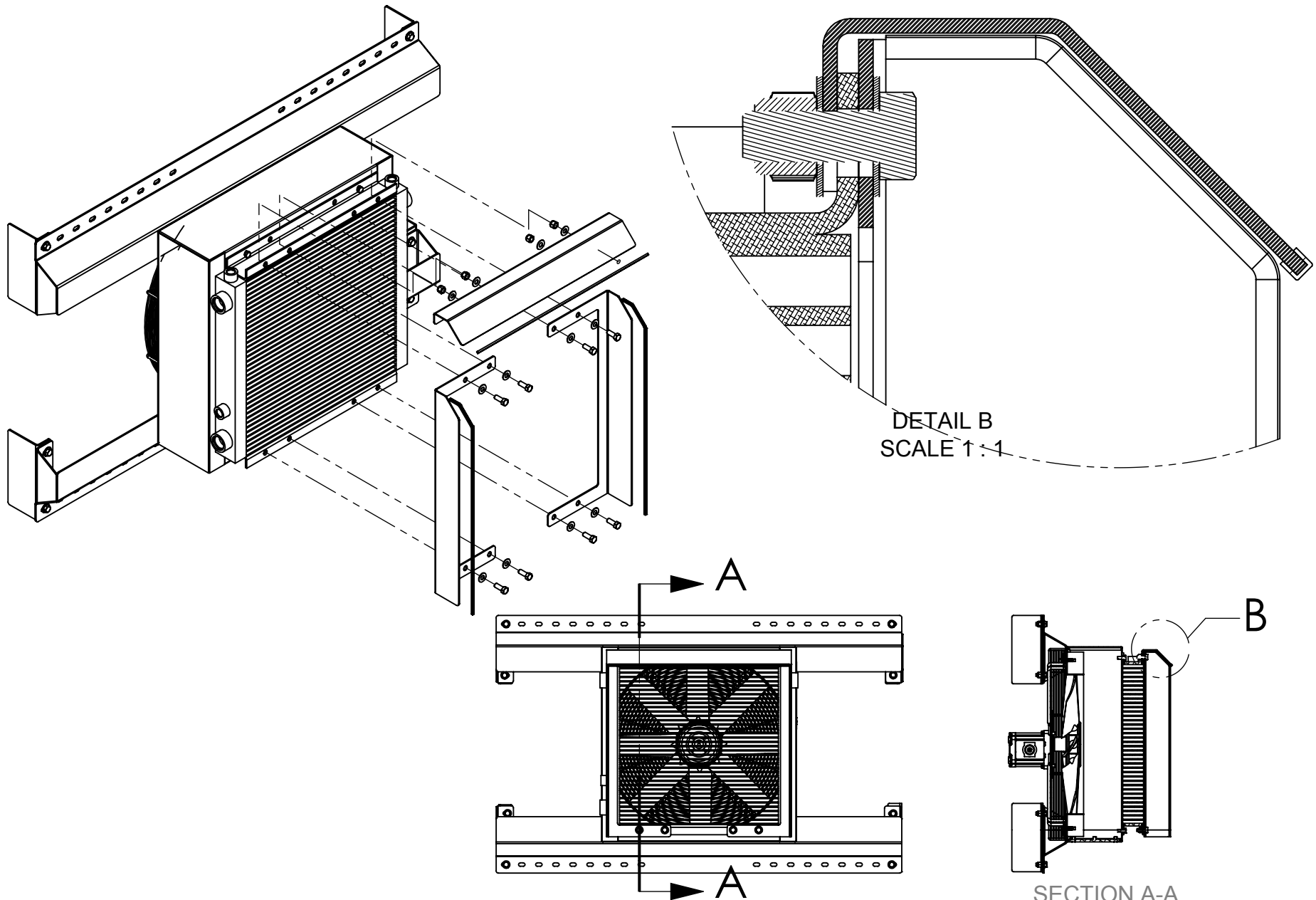
01	2016/12/08	ADDED MOUNTING HOLES	JSF	PAINT:	MATERIAL:	PARTS	SHEET SIZE: A
REV	DATE	DESCRIPTION	INIT.	WEIGHT #	DESCRIPTION:		
				96.90	ASSY, OIL COOLER, PARKER		
				TOLERANCE UNLESS NOTED .XXX +/- .005 .XX +/- .010 .X +/- .020 X +/- .40 FRACTIONS +/- 1/16 ANGLES +/- 1/2 DEG			
				DR'N BY: JSF	DATE: 2016/11/29	REV: 01	PART NUMBER: 10055100
Valmar	BBI	AerWay		SCALE: 1:16	SHEET: 1 OF 5		



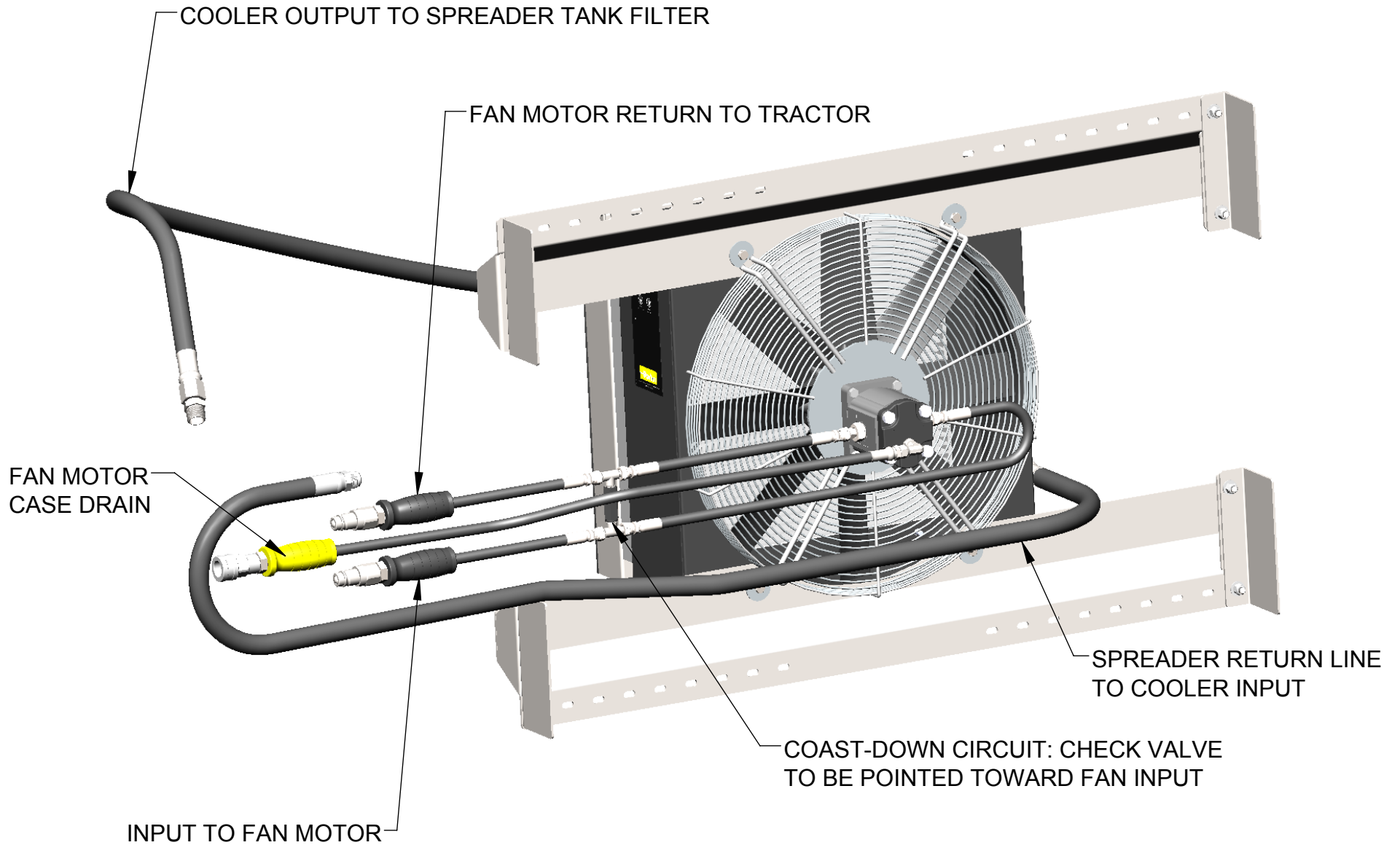
FRONT VIEW

WELD 10055103 ALONG BEND IN GUSSET

				PAINT: NONE	MATERIAL:	SHEET SIZE: A
				WEIGHT # 7889.69	DESCRIPTION: 20'pthp4520-Revised 102815	
REV	DATE	DESCRIPTION	INIT.	TOLERANCE UNLESS NOTED .XXX +/- .005 .XX +/- .010 .X +/- .020 X +/- .40 FRACTIONS +/- 1/16 ANGLES +/- 1/2 DEG		
 Valmar BBI AerWay				DR'N BY: JSF	DATE: 2016/11/29	REV: 20'pthp4520-Revised 102815
				SCALE: 1:96	SHEET: 2 OF 5	PART NUMBER: 20'pthp4520-Revised 102815



01	2016/12/08	ADDED MOUNTING HOLES	JSF	PAINT:	MATERIAL:	PARTS	SHEET SIZE:	A
REV	DATE	DESCRIPTION	INIT.	WEIGHT #	DESCRIPTION:			
				96.90	ASSY, OIL COOLER, PARKER			
				TOLERANCE UNLESS NOTED .XXX +/- .005 .XX +/- .010 .X +/- .020 X +/- .40 FRACTIONS +/- 1/16 ANGLES +/- 1/2 DEG				
				DR'N BY: JSF SCALE: 1:16	DATE: 2016/11/29 SHEET: 3 OF 5	REV: <b>01</b>	PART NUMBER: <b>10055100</b>	
Valmar	BBI	AerWay						



				PAINT:	MATERIAL:		PARTS	
				WEIGHT #	DESCRIPTION:		ASSY, OIL COOLER, PARKER	
				116.93	SHEET SIZE:		THIS DRAWING CONTAINS CONFIDENTIAL AND/OR PRIVILEGED INFORMATION. THIS DRAWING AND ANY INFORMATION CONTAINED THEREIN SHALL NOT BE REPRODUCED OR USED IN ANY WAY DETRIMENTAL TO THE INTEREST OF SALFORD GROUP INC.	
REV	DATE	DESCRIPTION	INIT.	TOLERANCE UNLESS NOTED	DR'N BY: DATE:		REV:	PART NUMBER:
				.XXX +/- .005	JSF 2017/01/03			10055100
				.XX +/- .010	SCALE: SHEET:			
				.X +/- .020	1:32 4 OF 5			
				X +/- .40				
				FRACTIONS +/- 1/16				
				ANGLES +/- 1/2 DEG				