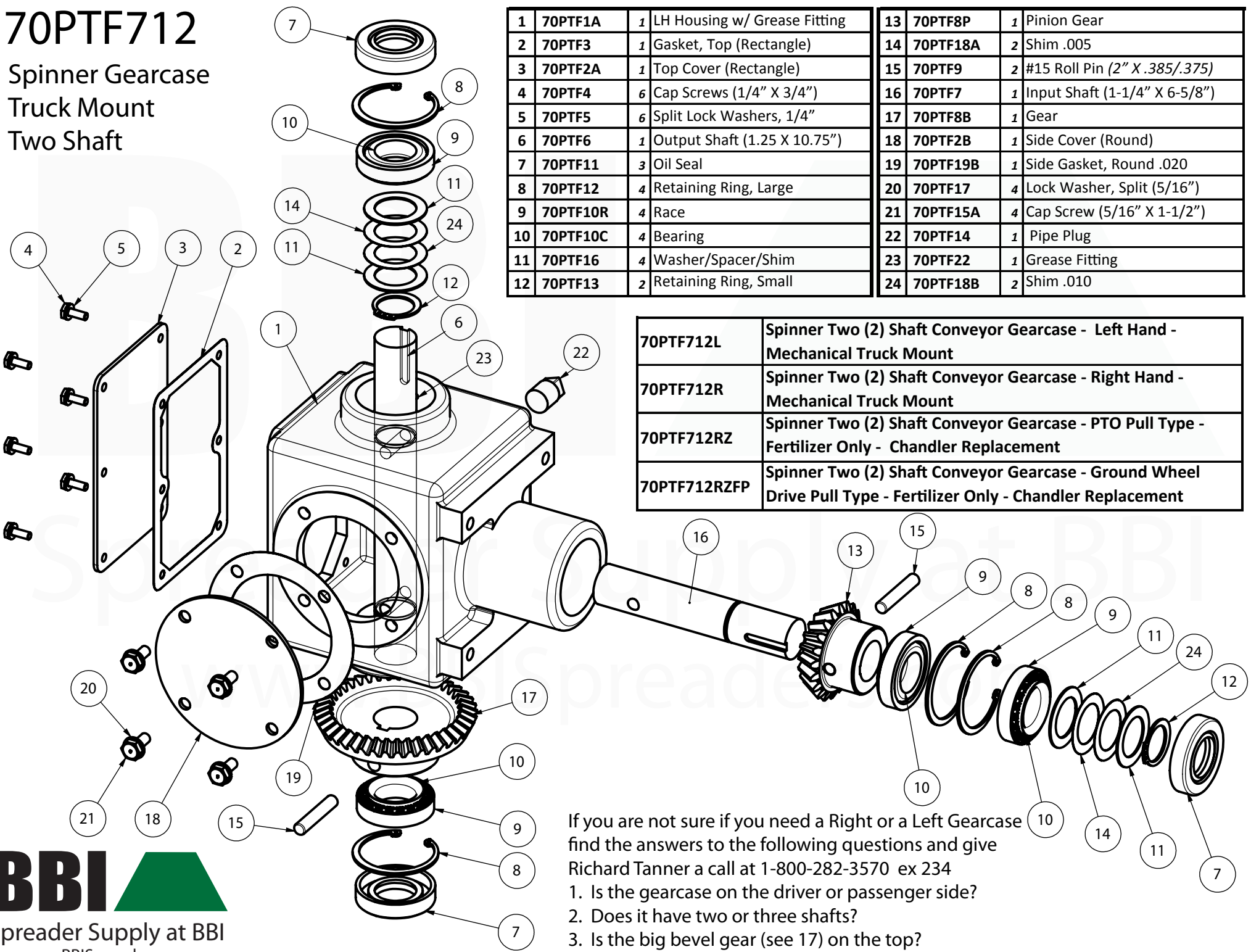


70PTF712

Spinner Gearcase
Truck Mount
Two Shaft



1	70PTF1A	1	LH Housing w/ Grease Fitting	13	70PTF8P	1	Pinion Gear
2	70PTF3	1	Gasket, Top (Rectangle)	14	70PTF18A	2	Shim .005
3	70PTF2A	1	Top Cover (Rectangle)	15	70PTF9	2	#15 Roll Pin (2" X .385/.375)
4	70PTF4	6	Cap Screws (1/4" X 3/4")	16	70PTF7	1	Input Shaft (1-1/4" X 6-5/8")
5	70PTF5	6	Split Lock Washers, 1/4"	17	70PTF8B	1	Gear
6	70PTF6	1	Output Shaft (1.25 X 10.75")	18	70PTF2B	1	Side Cover (Round)
7	70PTF11	3	Oil Seal	19	70PTF19B	1	Side Gasket, Round .020
8	70PTF12	4	Retaining Ring, Large	20	70PTF17	4	Lock Washer, Split (5/16")
9	70PTF10R	4	Race	21	70PTF15A	4	Cap Screw (5/16" X 1-1/2")
10	70PTF10C	4	Bearing	22	70PTF14	1	Pipe Plug
11	70PTF16	4	Washer/Spacer/Shim	23	70PTF22	1	Grease Fitting
12	70PTF13	2	Retaining Ring, Small	24	70PTF18B	2	Shim .010

70PTF712L	Spinner Two (2) Shaft Conveyor Gearcase - Left Hand - Mechanical Truck Mount
70PTF712R	Spinner Two (2) Shaft Conveyor Gearcase - Right Hand - Mechanical Truck Mount
70PTF712RZ	Spinner Two (2) Shaft Conveyor Gearcase - PTO Pull Type - Fertilizer Only - Chandler Replacement
70PTF712RZFP	Spinner Two (2) Shaft Conveyor Gearcase - Ground Wheel Drive Pull Type - Fertilizer Only - Chandler Replacement

If you are not sure if you need a Right or a Left Gearcase find the answers to the following questions and give Richard Tanner a call at 1-800-282-3570 ex 234

1. Is the gearcase on the driver or passenger side?
2. Does it have two or three shafts?
3. Is the big bevel gear (see 17) on the top?