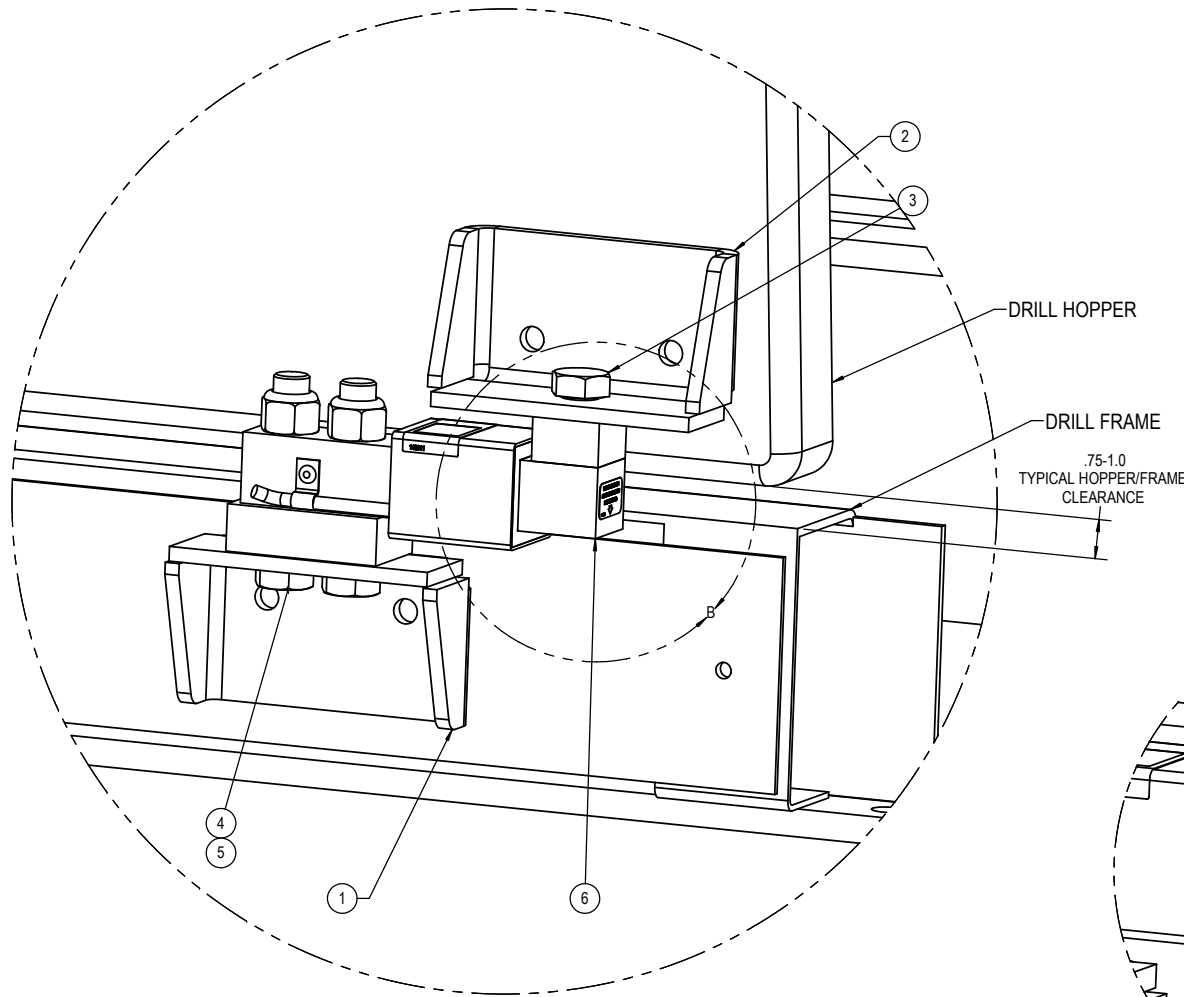


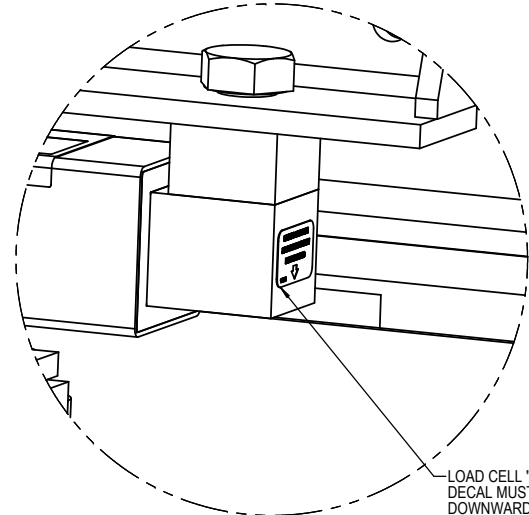
KEY	QTY	PART NO	DESCRIPTION
1	4	406814	WELD-LOWER MNT 1.5SQ DB
2	4	406815	WELD-UPPER MNT 1.5SQ DB
3	4	406067	SCR - 3/4-16 X 2.0 HHCS ZP GRD 5
4	8	405895	SCR - 3/4-10 X 4.0 HHCS ZP GRD 5
5	8	405921	NUT-3/4-10 TOP LOCK ZP
6	4	404284	CELL-1.5 SQ DB-21 FT
7	1	406232	J-BOX LEVER NUT 4 PT (PLANTER)
8	1	406385	PACK-1" RAM MNT W/SUCTION CUP
9	1	141837	CABLE-30FT J-BOX
10	1	406072	CABLE-6FT POWER 2-WIRE
11	1	405612	GT400 INDICATOR
12	1	D3887-US	MANUAL-1.5SQ DB UNIVERSAL SCALE



DRILL HOPPER

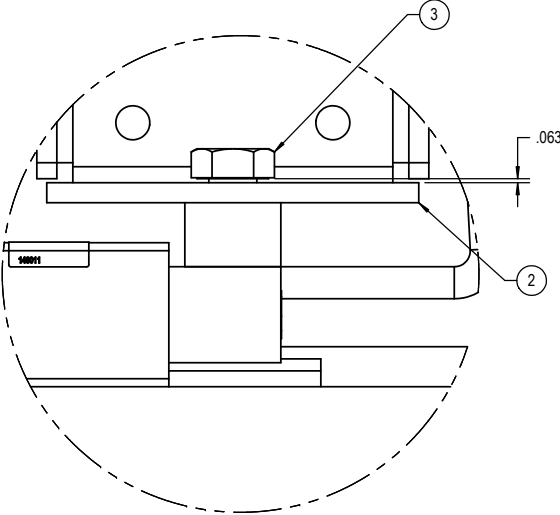
DRILL FRAME

75-1.0
TYPICAL HOPPER/FRAME
CLEARANCE



LOAD CELL "ARROW"
DECAL MUST POINT
DOWNWARD, 4 PLCS

DETAIL B
SCALE 2 : 2.5



APPLY THREAD
SEALANT AND TIGHTEN
TO .063" CLEARANCE
(4 PLCS)

								DRAWING TITLE	
						W5527 STATE HWY 106, FORT ATKINSON, WI 53538		KIT-SCALE UNIVERSAL DRILL	
						UNLESS OTHERWISE SPECIFIED DIMENSIONS ARE IN INCHES TOLERANCES ARE:		DATE 07/30/10	
						SCALE 1:12		MATERIAL -	
						DECIMAL HOLE DIAMETER ANGLE ± .042 ± .010 2 1/2"		DRAWN BY TDE	
						SHEET 1 OF 1		SIZE C	
						DO NOT SCALE DRAWING		DRAWING NUMBER 406820	
REV	NUMBER	DESCRIPTION	DATE	CHKD					
A	10-041	RELEASED	07/30/10	TDC					